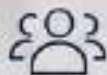


PRODUCT CATALOG

Speed Gates • Tripod Turnstiles • Swing Gates



RELIABLE
SECURITY



PEDESTRIAN
FLOW OPTIMIZATION



ADVANCED
TECHNOLOGY



DESIGN &
DURABILITY










GLOBAL
SOLUTIONS







**ACCESS CONTROL
SOLUTIONS**

SPEED GATES

	Galea XS	03
	Galea S	04
	Galea SH	05
	Galea (H)	06
	Belleville	07
	Pandora	08
	Stargate	09

TRIPOD TURNSTILES

	Minos	10
	Minos Optima	11
	Minos Twin	12
	Minos Crystal	12

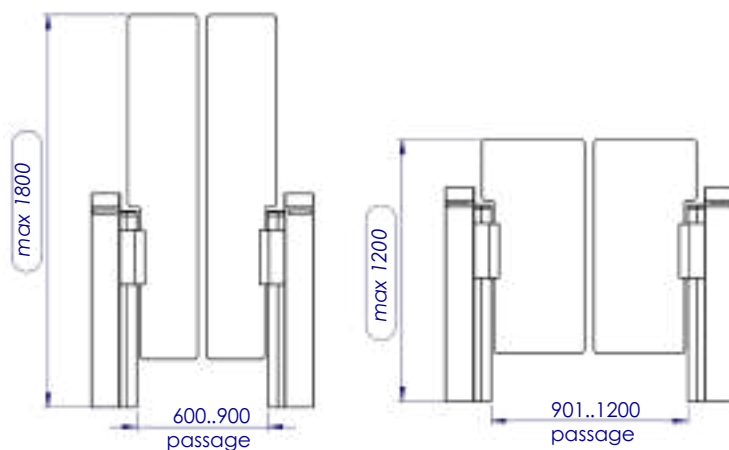
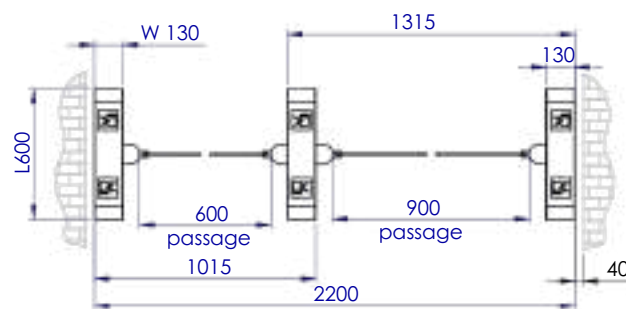
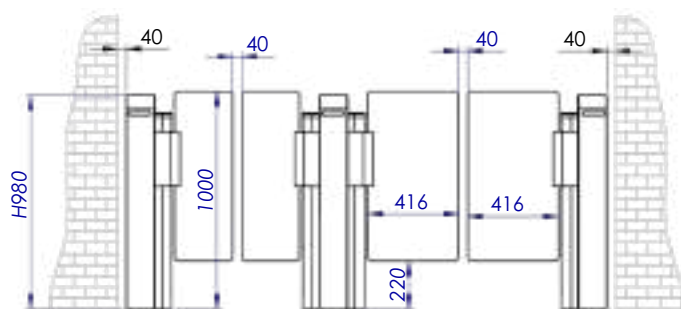
SWING GATE

	Glass gate	13
	Metal gate	14

GALEA XS

Couloirs rapides
Speed Gate

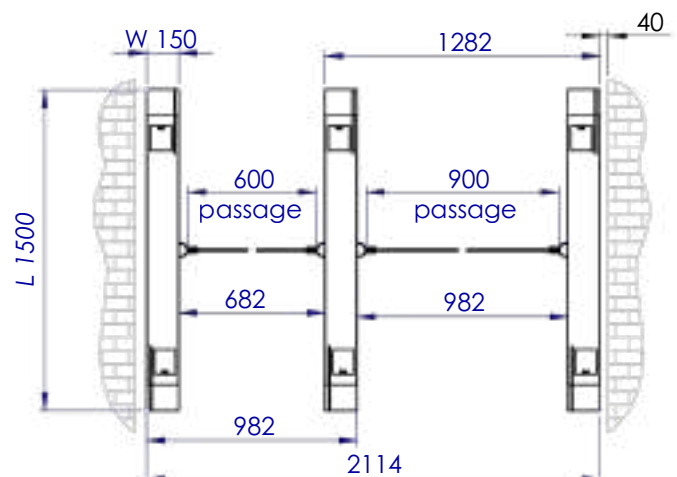
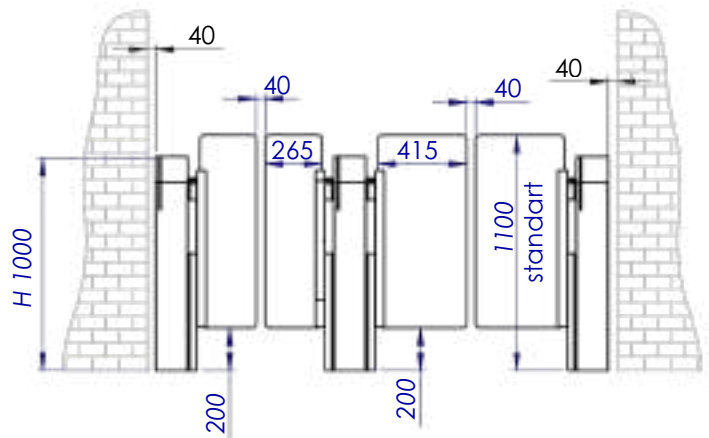
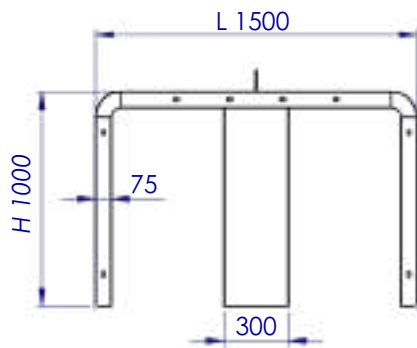
Model	Galea XS
Type	Speed Gate - Couloir Rapide
Material	AISI 304 / Steel S235 + paint RAL
Door materials	Tempered glass / Plexiglass transparent
Dimension	H 980 x L 600 x W 130 mm
Passage	600 - 1200 mm
Motor	ServoDrive LongLife©
Voltage	AC220V/110V; 50/60 Hz
Weight	48 kg - single / 67 kg - double
Capacity	35 people / minute
MTBF	30 millions



GALEA S

Couloirs rapides
Speed Gate

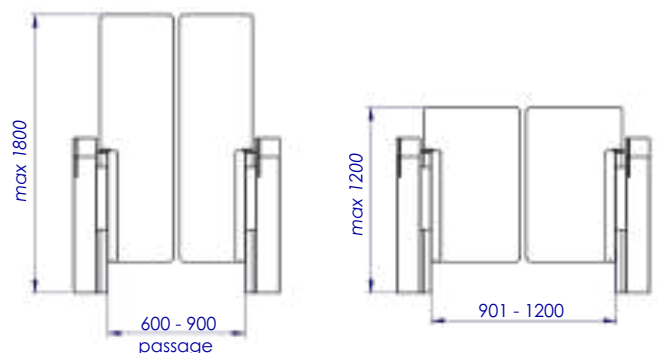
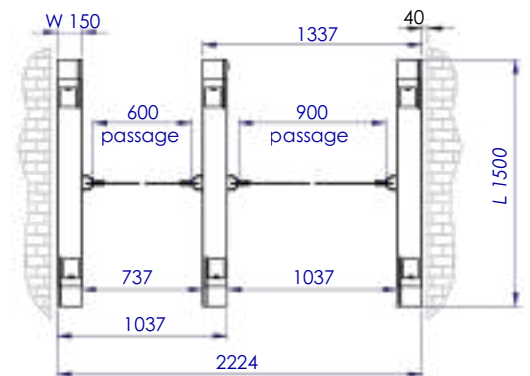
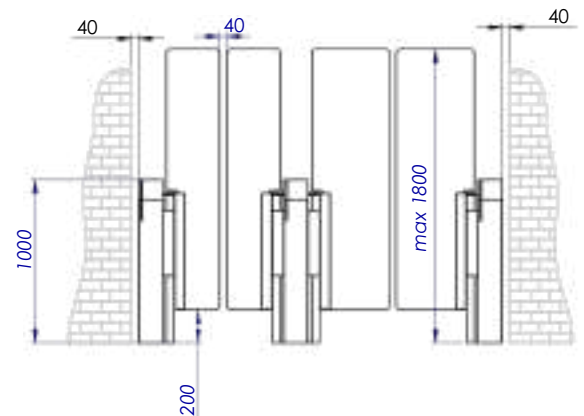
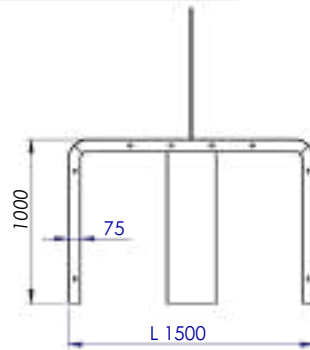
Model	Galea S
Type	Speed Gate / Couloir Rapide
Material	AISI 304 / Steel S235 + paint RAL
Door materials	Tempered glass / Plexiglass transparent
Dimension	H 1000 x L 1500 x W 150 mm
Passage	600 - 900 mm
Motor	ServoDrive LongLife©
Voltage	AC220V/110V; 50/60 Hz
Weight	90 kg - single / 100 kg - double
Capacity	35 people / minute
MTBF	30 millions



GALEA SH

Couloirs rapides
Speed Gate

Model	Galea SH
Type	Speed Gate / Couloir Rapide
Material	AISI 304 / Steel S235 + paint RAL
Door materials	Tempered glass / Plexiglass transparent
Dimension	H 1000 x L 1500 x W 150 mm
Passage	600 - 1200 mm
Motor	ServoDrive LongLife©
Voltage	AC220V/110V; 50/60 Hz
Weight	95 kg - single / 105 kg - double
Capacity	35 people / minute
MTBF	30 millions



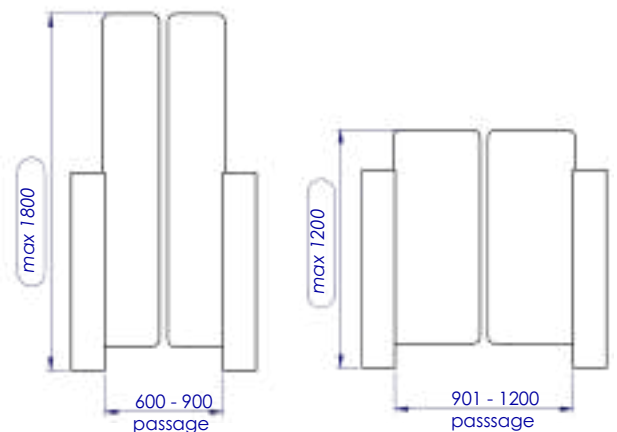
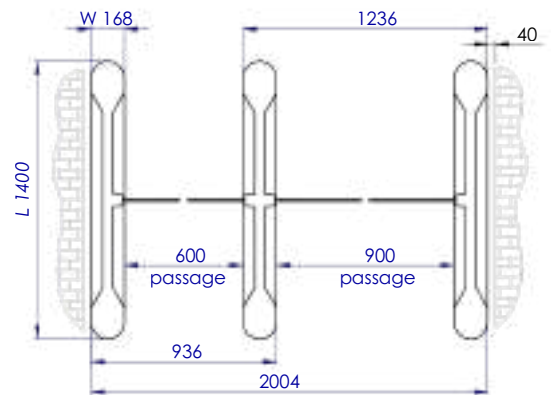
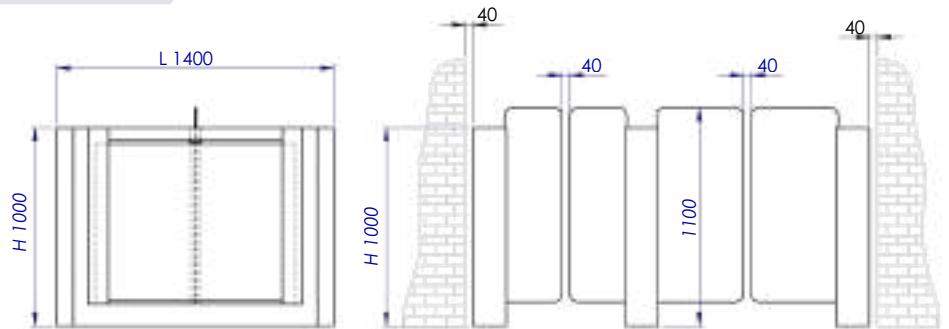
-5-



GALEA (H)

Couloirs rapides
Speed Gate

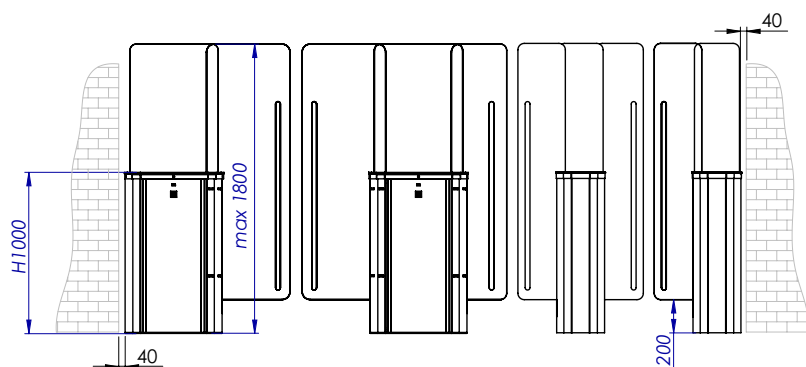
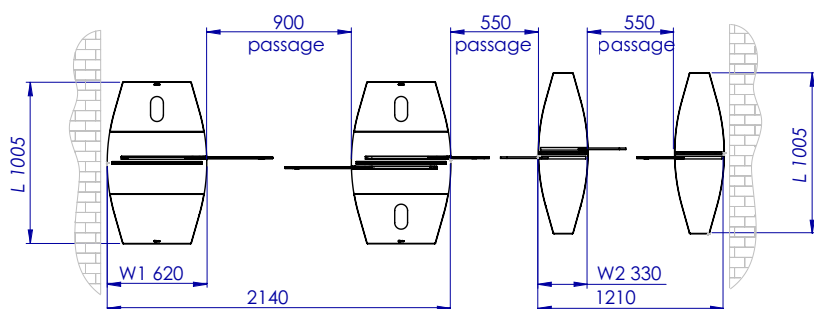
Model	Galea (H)
Type	Speed Gate / Couloir Rapide
Material	AISI 304 / Steel S235 + paint RAL
Door materials	Tempered glass / Plexiglass transparent
Dimension	H 1000 x L 1400 x W 168 mm
Passage	600 - 1200 mm
Motor	ServoDrive LongLife©
Voltage	AC220V/110V; 50/60 Hz
Weight	90 kg - single / 100 kg - double
Capacity	40 people / minute
MTBF	10 millions



BELLEVILLE

Couloirs rapides
Speed Gate

Model	Belleville
Type	Speed Gate / Couloir Rapide
Material	AISI 304 / Steel S235 + paint RAL
Door materials	Tempered glass / Plexiglass transparent
Dimension	H 1000 x L 1005 x W1 620 / W2 320 mm
Passage	550 / 900 mm
Motor	ServoDrive LongLife©
Voltage	AC220V/110V; 50/60 Hz
Weight	80 / 150 kg
Capacity	40 people / minute
MTBF	10 millions



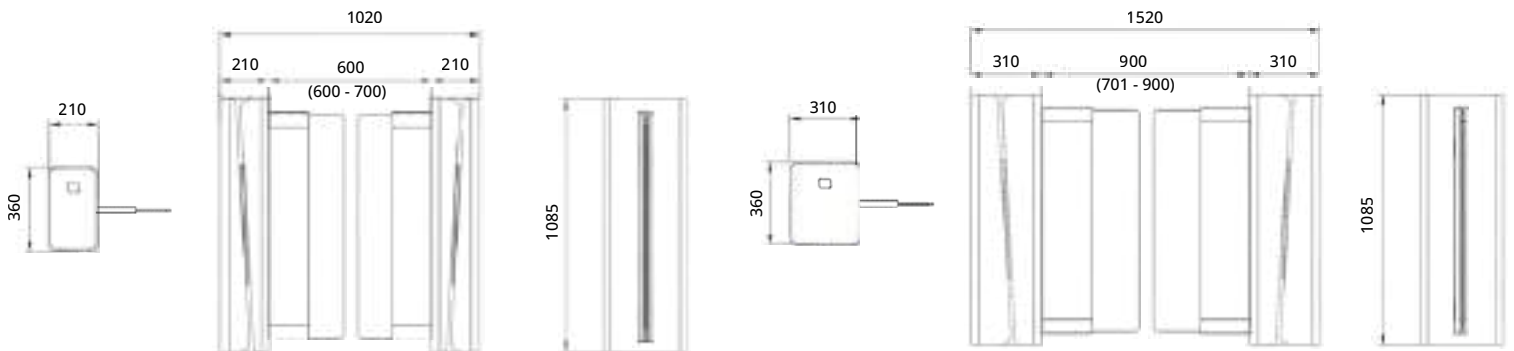
-7-



PANDORA

Couloirs rapides
Speed Gate

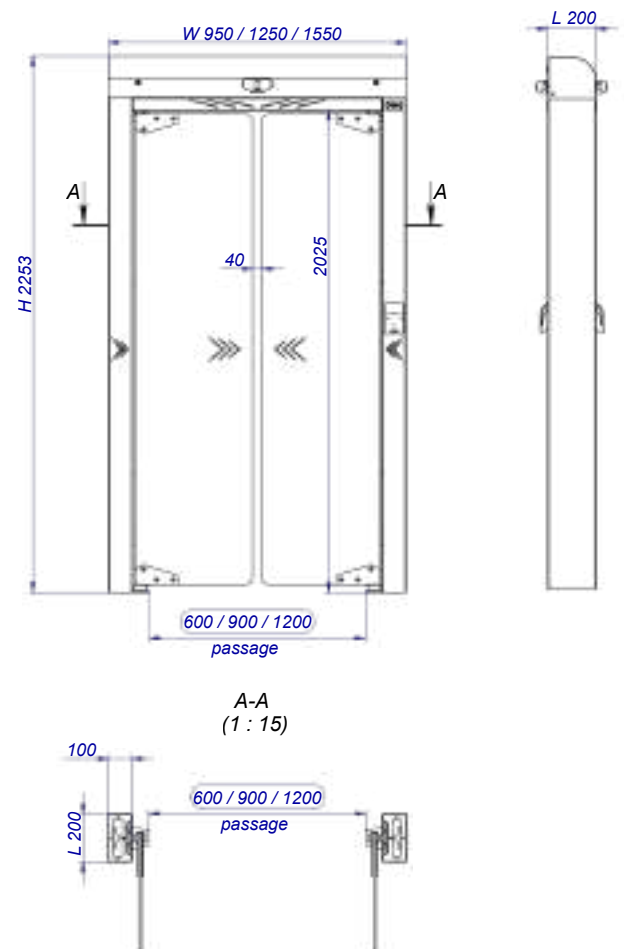
Model	Pandora
Type	Speed Gate - Couloir Rapide
Material	AISI 304 / Steel S235 + paint RAL
Door materials	Tempered glass / Plexiglass transparent
Dimension	H 1085 x L 210-310 x W 360 mm
Passage	600 - 900 mm
Motor	ServoDrive LongLife©
Voltage	AC220V/110V; 50/60 Hz
Weight	55 kg - single / 85 kg - double
Capacity	35 people / minute
MTBF	6 millions



STARGATE

Couloirs rapides
Speed Gate

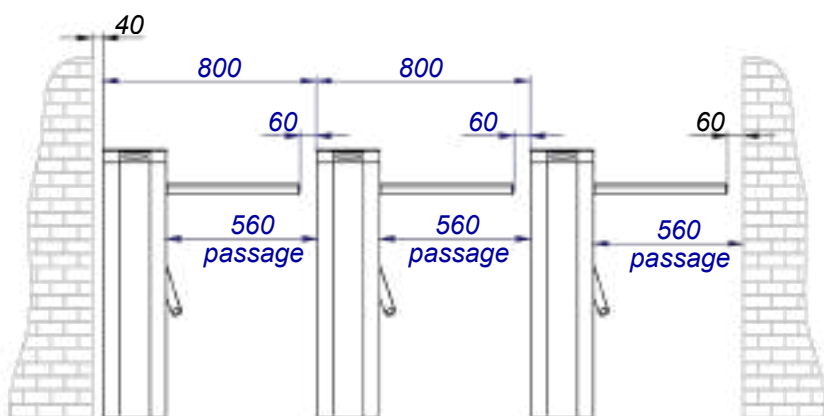
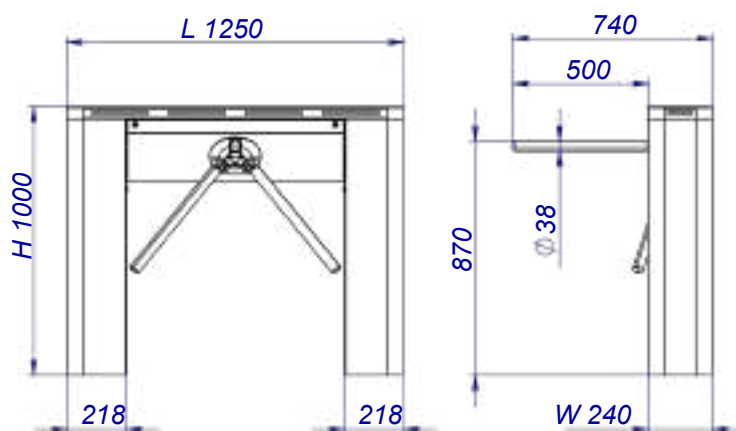
Model	Stargate
Type	Speed Gate / Couloir Rapide
Material	AISI 304 / Steel S235 + paint RAL
Door materials	Tempered glass
Dimension	H 2253 x L 200 x W 950...1550 mm
Passage	600 / 900 / 1200 mm
Motor	ServoDrive LL
Voltage	AC220V/110V; 50/60 Hz
Weight	140 / 160 / 180 kg
Capacity	40 people / minute
MTBF	10 millions



MINOS

Tourniquet tripode
Tripod Turnstiles

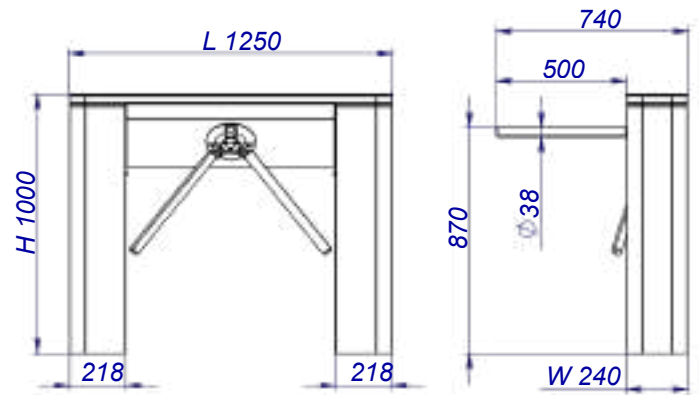
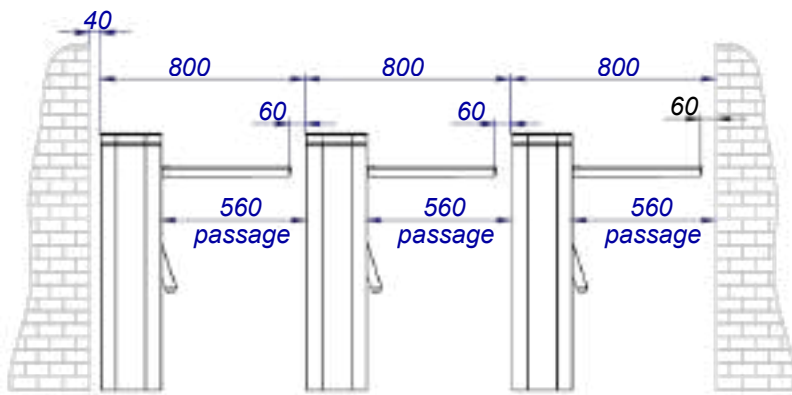
Model	Minos
Type	Tripod Turnstiles / Tourniquet tripode
Material	AISI 304 / Steel S235 + paint RAL
Door materials	AISI 304
Dimension	H 1000 x L 1250 x W 240 mm
Passage	560 mm
Motor	Semi automatic
Voltage	AC220V/110V; 50/60 Hz
Weight	70 kg
Capacity	30-35 people / minute
MTBF	10 millions



MINOS Optima

Tourniquet tripode
Tripod Turnstiles

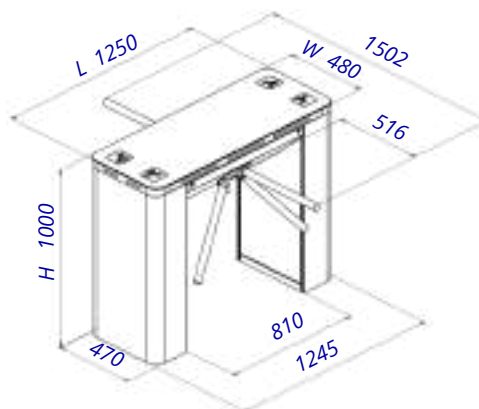
Model	Minos Optima
Type	Tripod Turnstiles / Tourniquet tripode
Material	AISI 304 / Steel S235 + paint RAL
Door materials	AISI 304
Dimension	H 1000 x L 1250 x W 240 mm
Passage	560 mm
Motor	Semi automatic
Voltage	AC220V/110V; 50/60 Hz
Weight	65 kg
Capacity	30-35 people / minute
MTBF	10 millions



MINOS Twin

Tourniquet tripode
Tripod Turnstiles

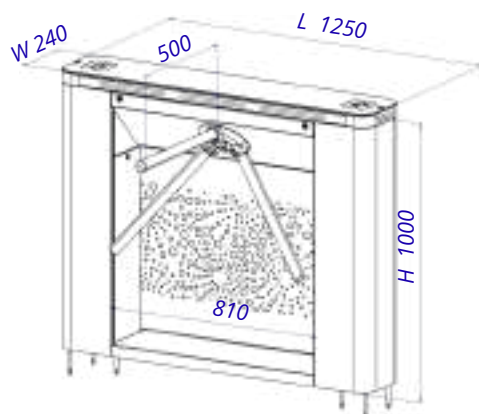
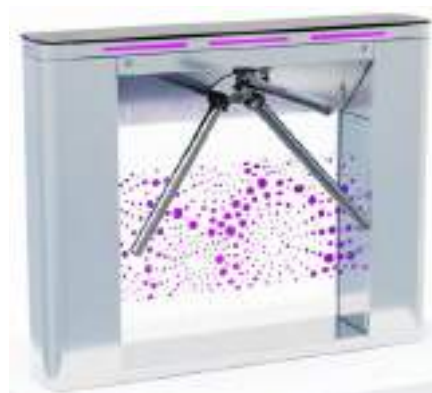
Model	Minos Twin
Type	Tripod Turnstiles / Tourniquet tripode
Material	AISI 304 / Steel S235 + paint RAL
Door materials	AISI 304
Dimension	H 1000 x L 1250 x W 480 mm
Passage	560 mm
Motor	Semi automatic
Voltage	AC220V/110V; 50/60 Hz
Weight	100 kg
Capacity	30-35 people / minute
MTBF	10 millions



MINOS Crystal

Tourniquet tripode
Tripod Turnstiles

Model	Minos Crystal
Type	Tripod Turnstiles / Tourniquet tripode
Material	AISI 304 + Glass
Door materials	AISI 304
Dimension	H 1000 x L 1250 x W 240 mm
Passage	560 mm
Motor	Semi automatic
Voltage	AC220V/110V; 50/60 Hz
Weight	85 kg
Capacity	30-35 people / minute
MTBF	10 millions



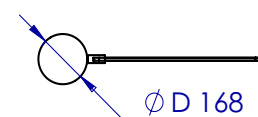
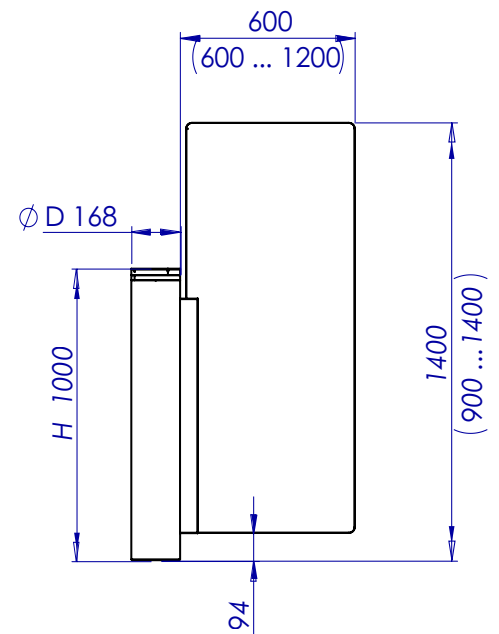
-12-



GLASS GATE

Portillons Pivotants
Swing gate

Model	Glass gate
Type	Swing gate / Portillons Pivotants
Material	AISI 304
Dimension	H 1000 x D 168 mm
Passage	600-1200 mm
Passage direction	Bi direction
Mechanism	Servodrive LongLife
Voltage	AC230V/110V; 50/60 Hz
Weight	50 kg
Protection rating (IP)	IP54 (option IP65)
Capacity	60 people / minute
MTBF	10 millions



METAL GATE

Portillons Pivotants
Swing gate

Model	Metal gate
Type	Swing gate / Portillons Pivotants
Material	AISI 304
Dimension	H 1000 x D 168 mm
Passage	600-900 mm
Passage direction	Bi direction
Mechanism	Servodrive LongLife
Voltage	AC230V/110V; 50/60 Hz
Weight	40 kg
Protection rating (IP)	IP54 (option IP65)
Capacity	60 people / minute
MTBF	10 millions



Nous contacter
Contact us



We Welcome You to Visit Us!



16 RUE DU CLOS HUBERT
28320 GALLARDON, FRANCE



+33(0)1 89 16 71 34



fbmecasystem.com



COMMERCIAL@FBMECASYSTEM.COM